



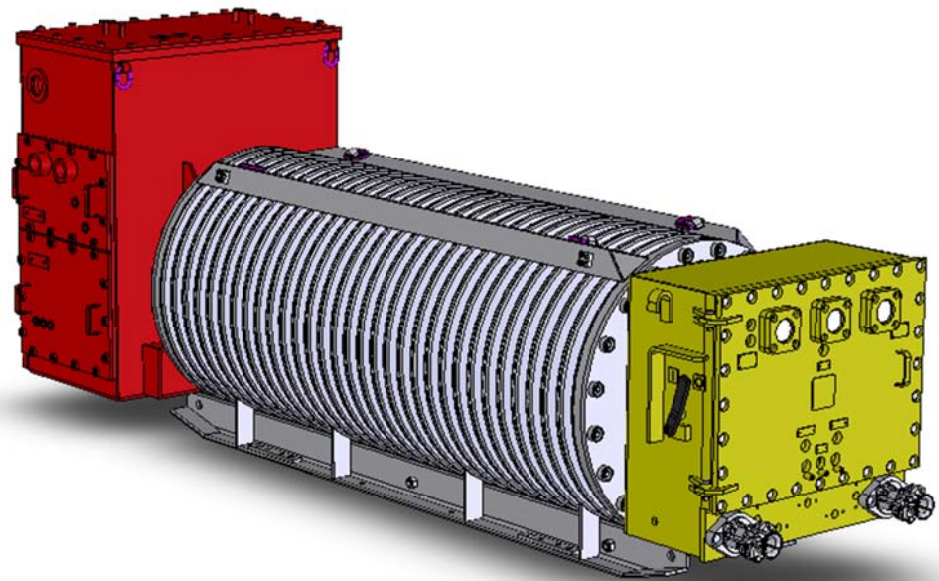
MACKINA - WESTFALIA



ATEX TRANSFORMERS

TPA315-TPA500

Product description



CHARACTERISTICS:

ATEX Ex d I certified three-phase explosion-proof transformers with the following characteristics

- Power of 315kVA or 500kVA depending on model.
- Choice of numerous HV and LV voltages. (See attached table).
- Air-cooled dry-type transformer by radiation and convection.
- The primary and secondary windings are galvanically separated.
- Short circuit voltage of 4.2%.
- Approximate weight TPA315, 2.1 tons, TPA500 2.7 tons.



Power	frequency	Primary voltage +-5%	Primary current	secondary voltage	Secondary current
500kVA	50Hz	5000V	60 A	1050/525V	289 A/578 A
		6000V	50 A		
		6600V	45 A		
		5000V	60 A	400V	
		6000V	50 A		
		6600V	45 A		
	60Hz	4160V	73 A	440V	690 A
		6000V	50 A		
		6600V	45 A		
		4160V	73 A	1000V	
		6000V	50 A		
		6600V	45 A		
315kVA	50Hz	5000V	38 A	1050/525V	182 A/364 A
		6000V	32 A		
		6600V	29 A		
		5000V	38 A	400V	
		6000V	32 A		
		6600V	29 A		
	60Hz	4160V	46 A	440V	434 A
		6000V	32 A		
		6600V	29 A		
		4160V	46 A	1000V	
		6000V	32 A		
		6600V	29 A		



SUPPLEMENTARY PROTECTION:

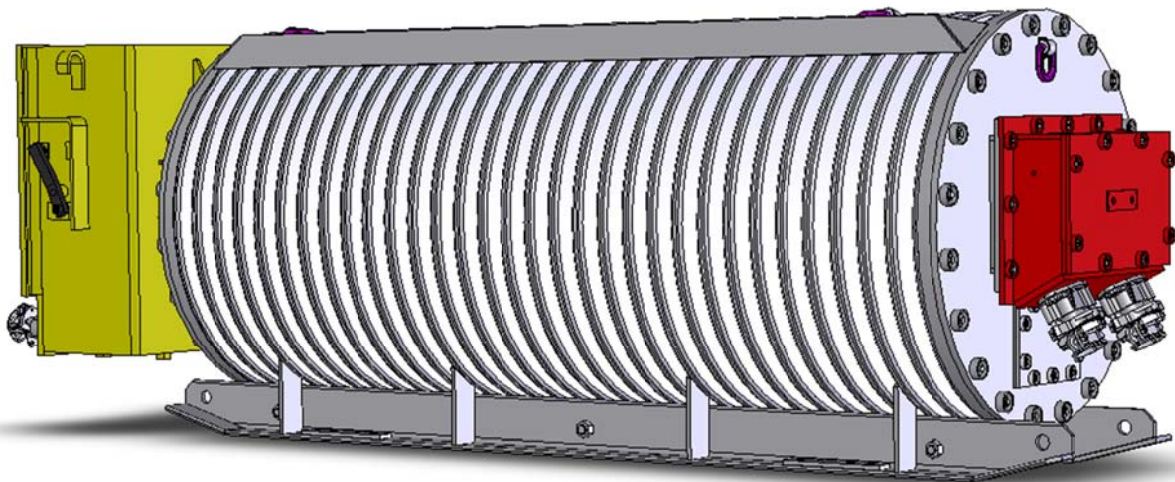
All transformers incorporate 3 PT100 -30/190°C probes located in secondary windings for overheating control. The temperature control is done externally. (See PBR20).

ASSEMBLY:

The TPA315 and TPA500 transformers have two flanged covers on each side where a high voltage input and a low voltage output box are installed with one or two inputs as standard.

High and low voltage protection cells can also be adapted directly to it (see FPA200 and PBR20 cells).

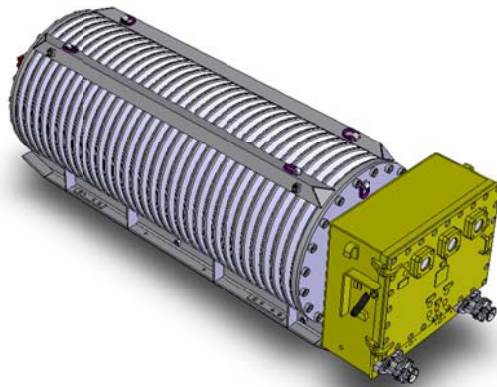
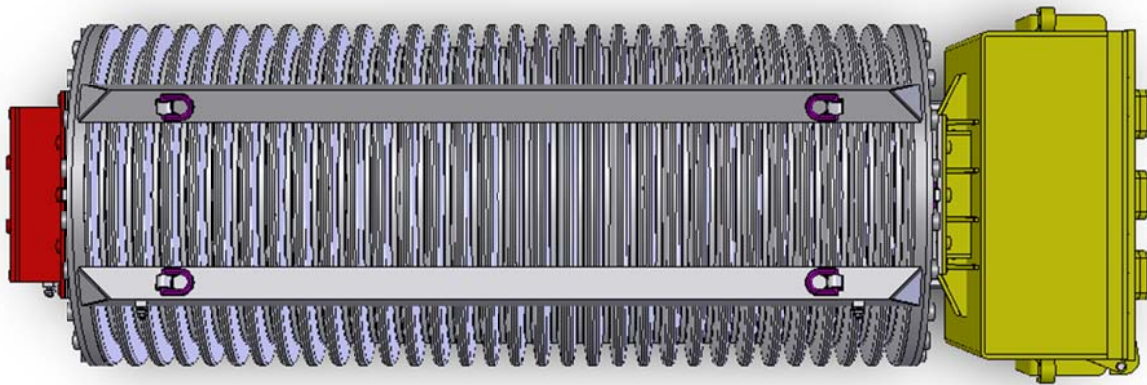
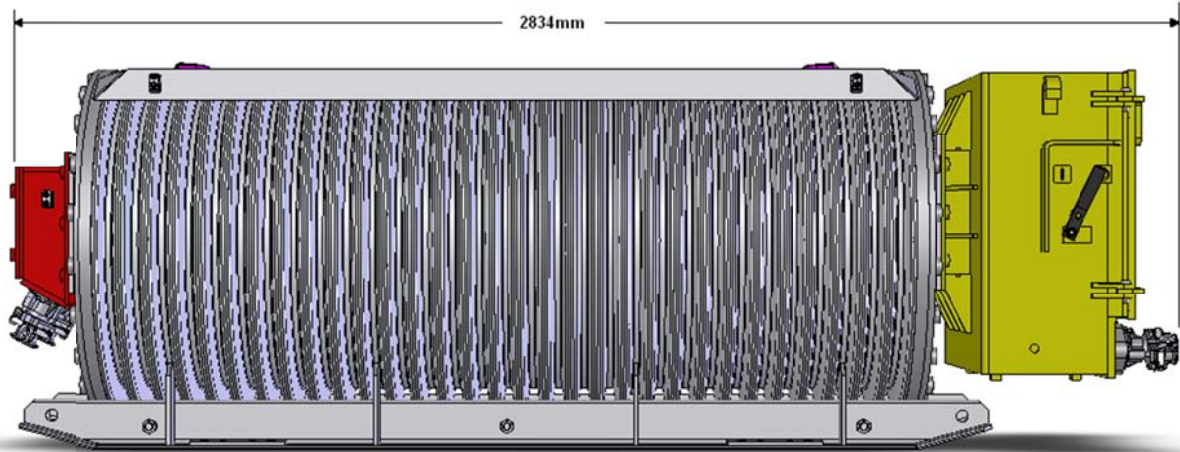
The transformer has several brackets to facilitate positioning in the installation.



Detail of transformer with HV box and 2 input cable glands

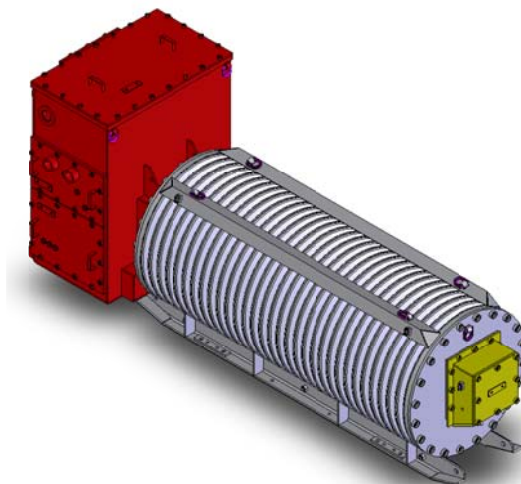
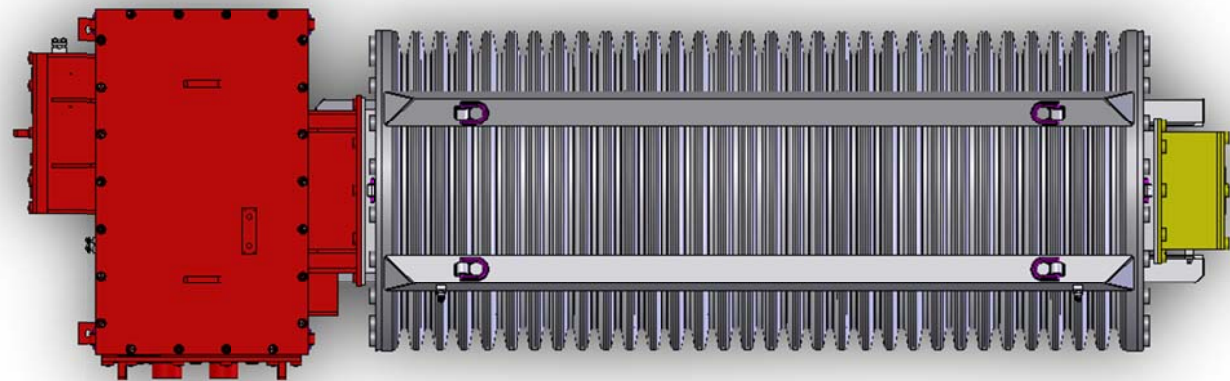
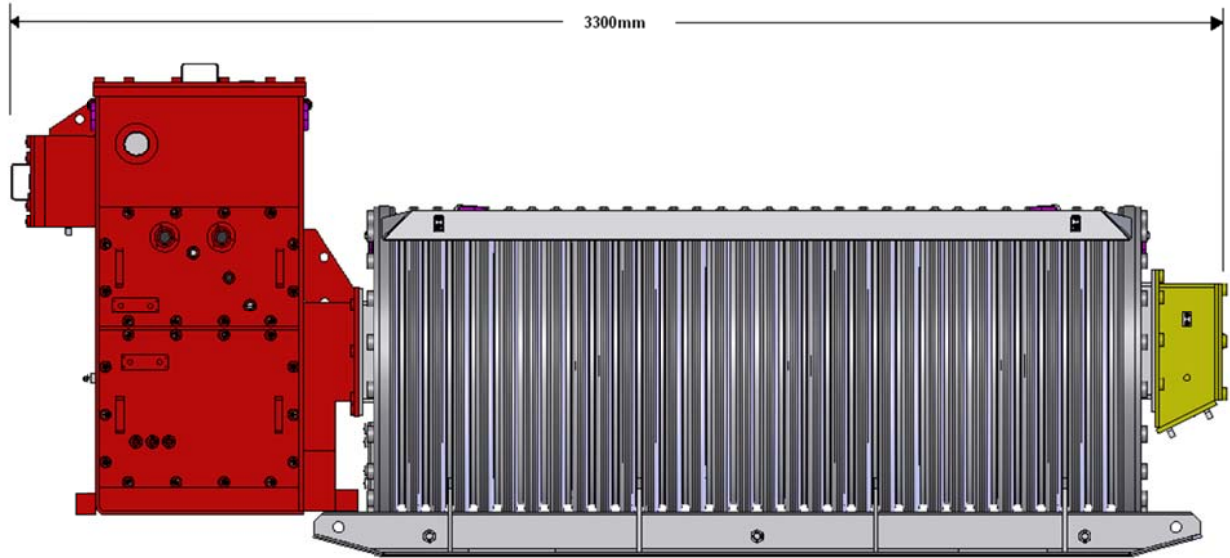


Detail of TPA315 transformer dimension with PBR20 cell and high voltage box



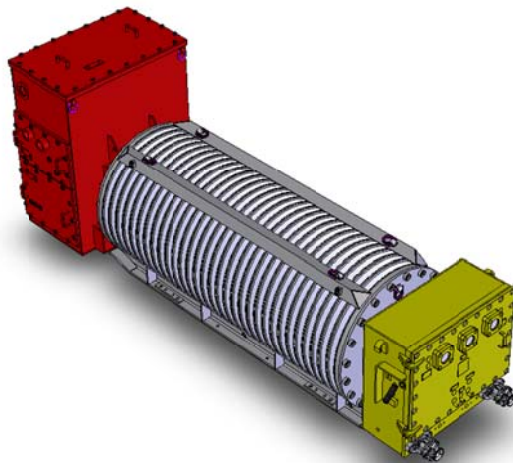
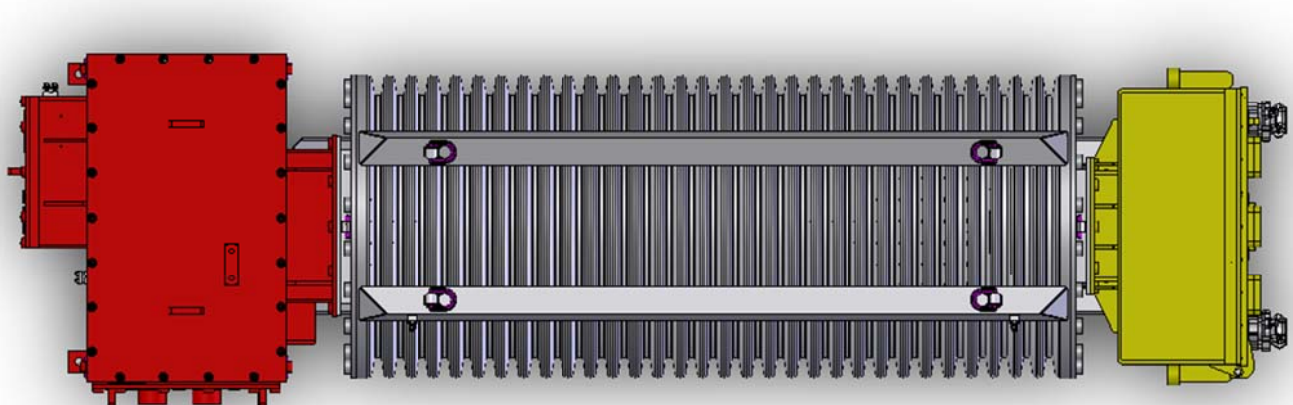
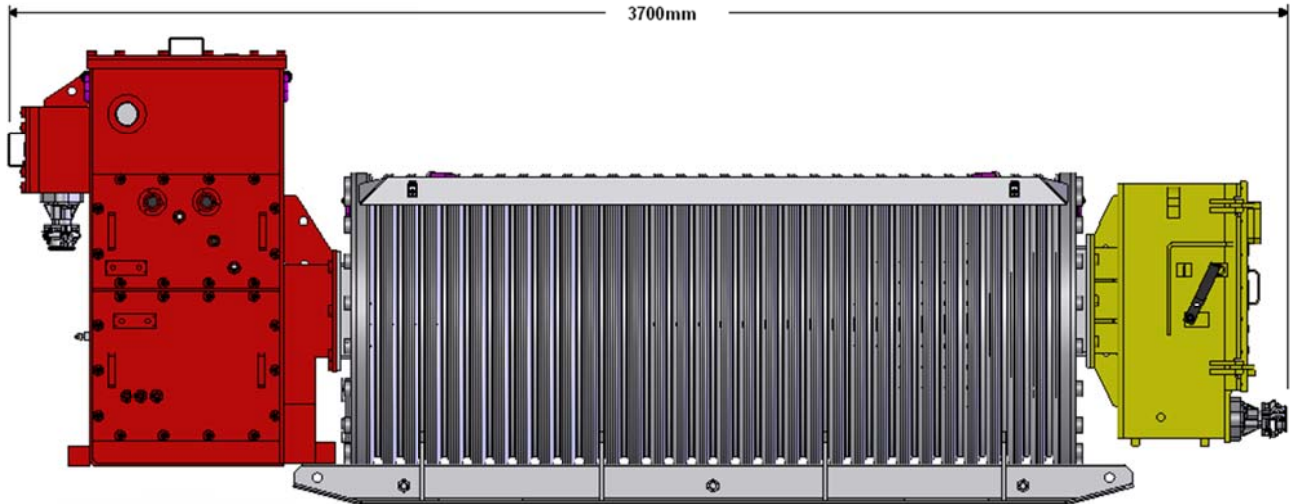


Detail of TPA315 transformer dimension with FPA200 cell and low voltage box





Detail of transformer dimension TPA315 with FPA200 cell and PBR20 cell





MACKINA-WESTFALIA, S.A.

Avda. Madrid 70, 28802 Alcalá de Henares MADRID ESPAÑA
Tel. + 34 91 889 44 12 Fax. + 34 91 883 21 74
Email. mackwest@mackina-westfalia.com
Web www.mackina-westfalia.com

